



# sgolastra & giampaoli srl

MANUFACTURING HYDRAULIC CYLINDERS

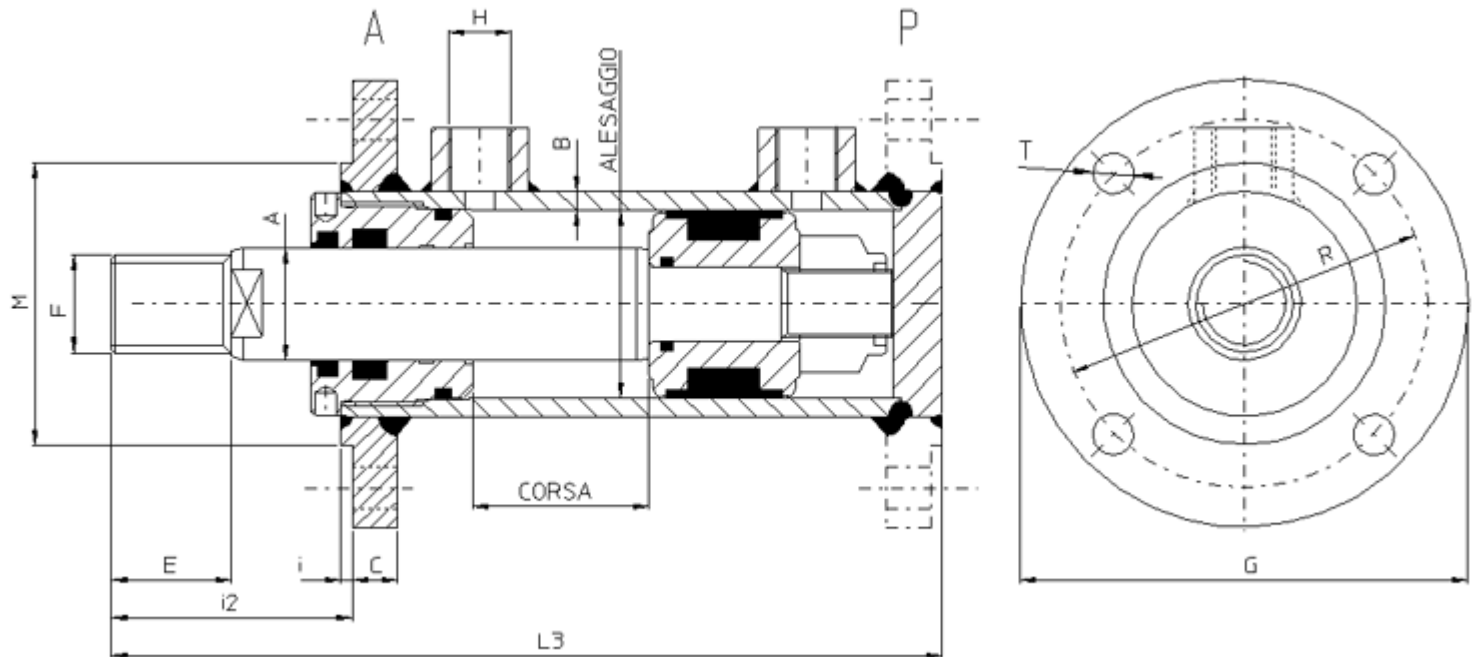


## STANDARD DOUBLE ACTING CYLINDER CSF (A o P)

|  |                                    |
|--|------------------------------------|
| CILINDRO STANDARD DOPPIO EFFETTO CSF ( A o P ) | PRESSIONE DI ESERCIZIO MAX 220 bar |
| STANDARD DOUBLE ACTING CYLINDER CSF (A o P)    | WORKING PRESSURE MAX 220 bar       |
| VERIEN DOUBLE EFFET STANDARD CSF (A o P)       | PRESSION DE SERVICE MAX 220 bar    |
| DOPPELTWIRKENDER STANDARDZYLINDER CSF (A o P)  | BETRIEBSDRUCK MAX 220 bar          |
| CILINDRO ESTANDARD DE DOBLE EFECTO CSF (A o P) | PRESION DE TRABAJO MAX 220 bar     |

|                  |                  |                     |                     |                  |               |
|------------------|------------------|---------------------|---------------------|------------------|---------------|
| ESEMPIO D'ORDINE | EXAMPLE OF ORDER | EXEMPLE DE COMMANDE | BESTELLUNGSBELSPIEL | EJEMPLO DE ORDEN | = CSFP4025100 |
|------------------|------------------|---------------------|---------------------|------------------|---------------|

|          |          |         |              |      |         |        |
|----------|----------|---------|--------------|------|---------|--------|
| (C)      | (S)      | (F)     | (A o P)      | (40) | (25)    | (100)  |
| CILINDRO | STANDARD | FLANGIA | TIPO (A o P) | BORE | Ø STELO | STROKE |



| CODE        | BORE | A  | STROKE | L3  | C  | I | i2 | E  | F      | B | T | R  | G  | H    | M  |
|-------------|------|----|--------|-----|----|---|----|----|--------|---|---|----|----|------|----|
| CSF 3018100 | 30   | 18 | 100    | 253 | 12 | 3 | 60 | 27 | 16x1,5 | 5 | 9 | 78 | 99 | 1/4" | 55 |

|             |    |          |     |     |    |   |    |    |               |   |    |     |     |      |    |
|-------------|----|----------|-----|-----|----|---|----|----|---------------|---|----|-----|-----|------|----|
| CSF 3018150 | 30 | 18       | 150 | 303 | 12 | 3 | 60 | 27 | 16x1,5        | 5 | 9  | 78  | 99  | 1/4" | 55 |
| CSF 3018200 | 30 | 18       | 200 | 353 | 12 | 3 | 60 | 27 | 16x1,5        | 5 | 9  | 78  | 99  | 1/4" | 55 |
| CSF 3018250 | 30 | 18       | 250 | 403 | 12 | 3 | 60 | 27 | 16x1,5        | 5 | 9  | 78  | 99  | 1/4" | 55 |
| CSF 3018300 | 30 | 18       | 300 | 453 | 12 | 3 | 60 | 27 | 16x1,5        | 5 | 9  | 78  | 99  | 1/4" | 55 |
| CSF 3018350 | 30 | 18       | 350 | 503 | 12 | 3 | 60 | 27 | 16x1,5        | 5 | 9  | 78  | 99  | 1/4" | 55 |
| CSF 3018400 | 30 | 18       | 400 | 553 | 12 | 3 | 60 | 27 | 16x1,5        | 5 | 9  | 78  | 99  | 1/4" | 55 |
| CSF 40--100 | 40 | 20-25    | 100 | 257 | 12 | 3 | 60 | 27 | 16x1,5-22x1,5 | 5 | 9  | 88  | 109 | 1/4" | 65 |
| CSF 40--150 | 40 | 20-25    | 150 | 307 | 12 | 3 | 60 | 27 | 16x1,5-22x1,5 | 5 | 9  | 88  | 109 | 1/4" | 65 |
| CSF 40--200 | 40 | 20-25    | 200 | 357 | 12 | 3 | 60 | 27 | 16x1,5-22x1,5 | 5 | 9  | 88  | 109 | 1/4" | 65 |
| CSF 40--250 | 40 | 20-25    | 250 | 407 | 12 | 3 | 60 | 27 | 16x1,5-22x1,5 | 5 | 9  | 88  | 109 | 1/4" | 65 |
| CSF 40--300 | 40 | 20-25    | 300 | 457 | 12 | 3 | 60 | 27 | 16x1,5-22x1,5 | 5 | 9  | 88  | 109 | 1/4" | 65 |
| CSF 40--350 | 40 | 20-25    | 350 | 507 | 12 | 3 | 60 | 27 | 16x1,5-22x1,5 | 5 | 9  | 88  | 109 | 1/4" | 65 |
| CSF 40--400 | 40 | 20-25    | 400 | 557 | 12 | 3 | 60 | 27 | 16x1,5-22x1,5 | 5 | 9  | 88  | 109 | 1/4" | 65 |
| CSF 50--100 | 50 | 25-30    | 100 | 269 | 12 | 3 | 65 | 32 | 22x1,5-28x1,5 | 5 | 11 | 98  | 119 | 3/8" | 75 |
| CSF 50--150 | 50 | 25-30    | 150 | 319 | 12 | 3 | 65 | 32 | 22x1,5-28x1,5 | 5 | 11 | 98  | 119 | 3/8" | 75 |
| CSF 50--200 | 50 | 25-30    | 200 | 369 | 12 | 3 | 65 | 32 | 22x1,5-28x1,5 | 5 | 11 | 98  | 119 | 3/8" | 75 |
| CSF 50--250 | 50 | 25-30    | 250 | 419 | 12 | 3 | 65 | 32 | 22x1,5-28x1,5 | 5 | 11 | 98  | 119 | 3/8" | 75 |
| CSF 50--300 | 50 | 25-30    | 300 | 469 | 12 | 3 | 65 | 32 | 22x1,5-28x1,5 | 5 | 11 | 98  | 119 | 3/8" | 75 |
| CSF 50--350 | 50 | 25-30    | 350 | 519 | 12 | 3 | 65 | 32 | 22x1,5-28x1,5 | 5 | 11 | 98  | 119 | 3/8" | 75 |
| CSF 50--400 | 50 | 25-30    | 400 | 569 | 12 | 3 | 65 | 32 | 22x1,5-28x1,5 | 5 | 11 | 98  | 119 | 3/8" | 75 |
| CSF 50--500 | 50 | 25-30    | 500 | 669 | 12 | 3 | 65 | 32 | 22x1,5-28x1,5 | 5 | 11 | 98  | 119 | 3/8" | 75 |
| CSF 50--600 | 50 | 25-30    | 600 | 769 | 12 | 3 | 65 | 32 | 22x1,5-28x1,5 | 5 | 11 | 98  | 119 | 3/8" | 75 |
| CSF 60--100 | 60 | 30-35-40 | 100 | 303 | 12 | 3 | 74 | 38 | 28x1,5-35x1,5 | 5 | 11 | 108 | 129 | 3/8" | 85 |
| CSF 60--150 | 60 | 30-35-40 | 150 | 353 | 12 | 3 | 74 | 38 | 28x1,5-35x1,5 | 5 | 11 | 108 | 129 | 3/8" | 85 |
| CSF 60--200 | 60 | 30-35-40 | 200 | 403 | 12 | 3 | 74 | 38 | 28x1,5-35x1,5 | 5 | 11 | 108 | 129 | 3/8" | 85 |
| CSF 60--250 | 60 | 30-35-40 | 250 | 453 | 12 | 3 | 74 | 38 | 28x1,5-35x1,5 | 5 | 11 | 108 | 129 | 3/8" | 85 |
| CSF 60--300 | 60 | 30-35-40 | 300 | 503 | 12 | 3 | 74 | 38 | 28x1,5-35x1,5 | 5 | 11 | 108 | 129 | 3/8" | 85 |
| CSF 60--350 | 60 | 30-35-40 | 350 | 553 | 12 | 3 | 74 | 38 | 28x1,5-35x1,5 | 5 | 11 | 108 | 129 | 3/8" | 85 |
| CSF 60--400 | 60 | 30-35-40 | 400 | 603 | 12 | 3 | 74 | 38 | 28x1,5-35x1,5 | 5 | 11 | 108 | 129 | 3/8" | 85 |
| CSF 60--500 | 60 | 30-35-40 | 500 | 703 | 12 | 3 | 74 | 38 | 28x1,5-35x1,5 | 5 | 11 | 108 | 129 | 3/8" | 85 |
| CSF 60--600 | 60 | 30-35-40 | 600 | 803 | 12 | 3 | 74 | 38 | 28x1,5-35x1,5 | 5 | 11 | 108 | 129 | 3/8" | 85 |
| CSF 70--100 | 70 | 30-35-40 | 100 | 303 | 15 | 3 | 74 | 38 | 28x1,5-35x1,5 | 5 | 13 | 124 | 149 | 3/8" | 95 |
| CSF 70--150 | 70 | 30-35-40 | 150 | 353 | 15 | 3 | 74 | 38 | 28x1,5-35x1,5 | 5 | 13 | 124 | 149 | 3/8" | 95 |
| CSF 70--200 | 70 | 30-35-40 | 200 | 403 | 15 | 3 | 74 | 38 | 28x1,5-35x1,5 | 5 | 13 | 124 | 149 | 3/8" | 95 |
| CSF 70--250 | 70 | 30-35-40 | 250 | 453 | 15 | 3 | 74 | 38 | 28x1,5-35x1,5 | 5 | 13 | 124 | 149 | 3/8" | 95 |
| CSF 70--300 | 70 | 30-35-40 | 300 | 503 | 15 | 3 | 74 | 38 | 28x1,5-35x1,5 | 5 | 13 | 124 | 149 | 3/8" | 95 |
| CSF 70--350 | 70 | 30-35-40 | 350 | 553 | 15 | 3 | 74 | 38 | 28x1,5-35x1,5 | 5 | 13 | 124 | 149 | 3/8" | 95 |

|             |    |          |     |     |    |   |    |    |               |     |    |     |     |      |     |
|-------------|----|----------|-----|-----|----|---|----|----|---------------|-----|----|-----|-----|------|-----|
| CSF 70--400 | 70 | 30-35-40 | 400 | 603 | 15 | 3 | 74 | 38 | 28x1,5-35x1,5 | 5   | 13 | 124 | 149 | 3/8" | 95  |
| CSF 70--500 | 70 | 30-35-40 | 500 | 703 | 15 | 3 | 74 | 38 | 28x1,5-35x1,5 | 5   | 13 | 124 | 149 | 3/8" | 95  |
| CSF 70--600 | 70 | 30-35-40 | 600 | 803 | 15 | 3 | 74 | 38 | 28x1,5-35x1,5 | 5   | 13 | 124 | 149 | 3/8" | 95  |
| CSF 80--100 | 80 | 40-45-50 | 100 | 326 | 20 | 4 | 84 | 45 | 35x1,5-45x1,5 | 7,5 | 15 | 134 | 164 | 1/2" | 110 |
| CSF 80--150 | 80 | 40-45-50 | 150 | 376 | 20 | 4 | 84 | 45 | 35x1,5-45x1,5 | 7,5 | 15 | 134 | 164 | 1/2" | 110 |
| CSF 80--200 | 80 | 40-45-50 | 200 | 426 | 20 | 4 | 84 | 45 | 35x1,5-45x1,5 | 7,5 | 15 | 134 | 164 | 1/2" | 110 |
| CSF 80--250 | 80 | 40-45-50 | 250 | 476 | 20 | 4 | 84 | 45 | 35x1,5-45x1,5 | 7,5 | 15 | 134 | 164 | 1/2" | 110 |
| CSF 80--300 | 80 | 40-45-50 | 300 | 526 | 20 | 4 | 84 | 45 | 35x1,5-45x1,5 | 7,5 | 15 | 134 | 164 | 1/2" | 110 |
| CSF 80--350 | 80 | 40-45-50 | 350 | 576 | 20 | 4 | 84 | 45 | 35x1,5-45x1,5 | 7,5 | 15 | 134 | 164 | 1/2" | 110 |
| CSF 80--400 | 80 | 40-45-50 | 400 | 626 | 20 | 4 | 84 | 45 | 35x1,5-45x1,5 | 7,5 | 15 | 134 | 164 | 1/2" | 110 |
| CSF 80--500 | 80 | 40-45-50 | 500 | 726 | 20 | 4 | 84 | 45 | 35x1,5-45x1,5 | 7,5 | 15 | 134 | 164 | 1/2" | 110 |
| CSF 80--600 | 80 | 40-45-50 | 600 | 826 | 20 | 4 | 84 | 45 | 35x1,5-45x1,5 | 7,5 | 15 | 134 | 164 | 1/2" | 110 |