



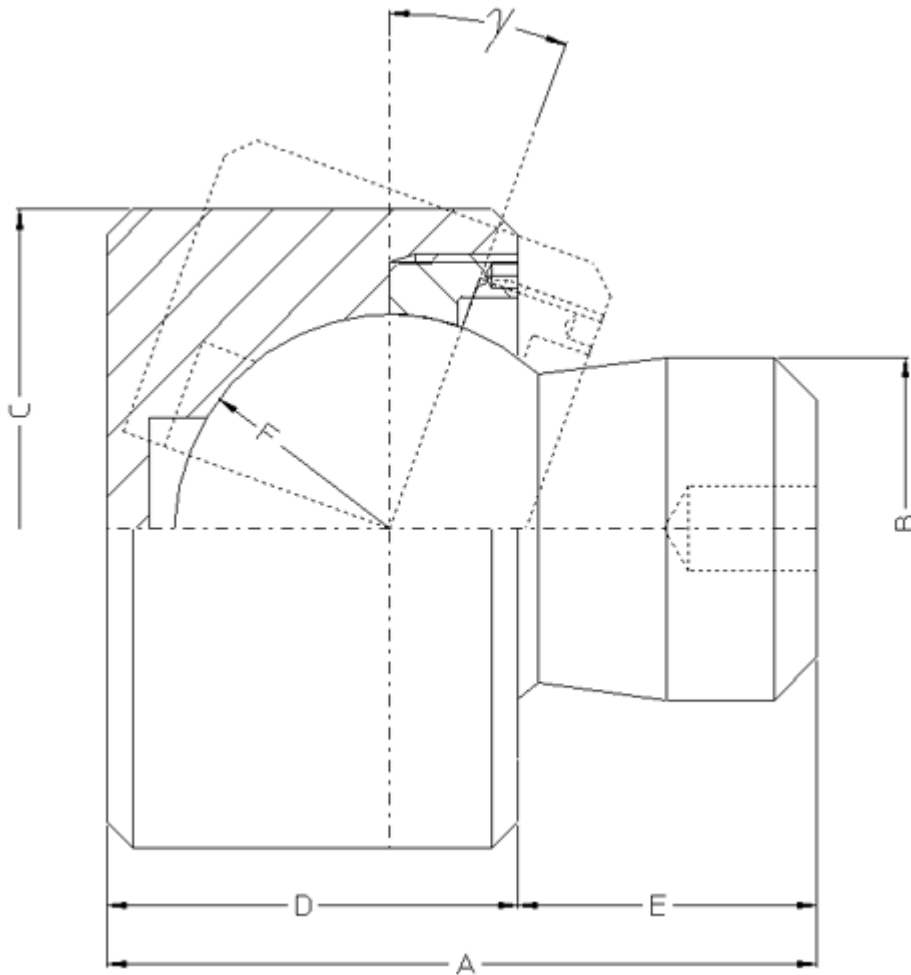
**sgolastra
& giampaoli** *srl*

MANUFACTURING HYDRAULIC CYLINDERS



JOINT FOR STABILIZING BASES

SNODO PER BASI STABILIZZATRICI	MATERIALE ASTM 105
JOINT FOR STABILIZING BASES	ASTM 105 MATERIAL
JOINT POUR BASE DE STABILISATION	ASTM 105 MATERIAU
GELENK FUER STABILISIERUNGSBASEN	ASTM 105 MATERIAL
ARTICULACION PARA BASES ESTABILIZADORAS	MATERIAL ASTM 105



CODE	A	B	C	D	E	F	γ
BA 50/75	83	40	74,5	48	35	25	24°

BA 60/97	101	50	97	58	43	30	24°
BA 70/104	116	60	104	65	51	35	24°